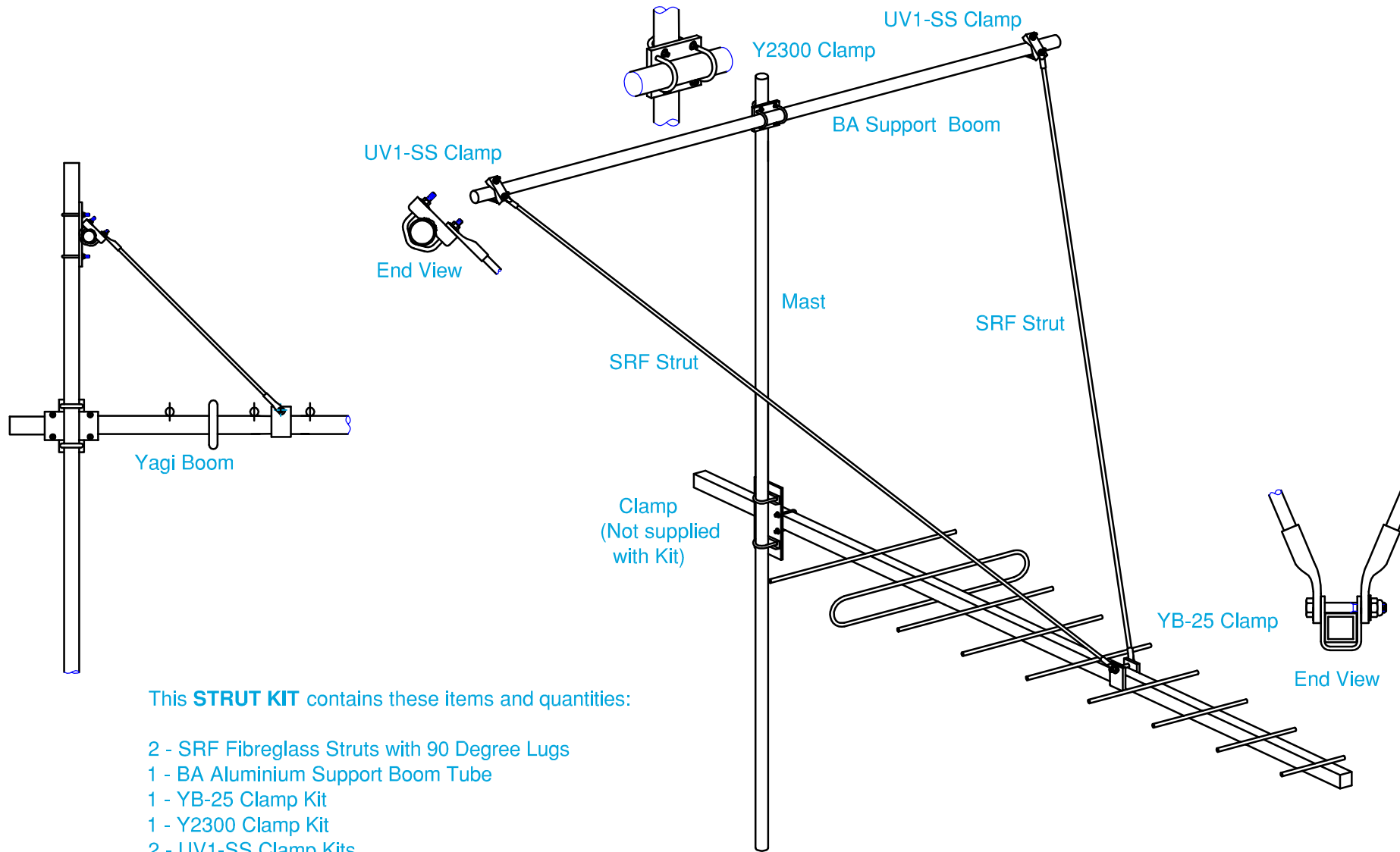


DO NOT SCALE



This **STRUT KIT** contains these items and quantities:

- 2 - SRF Fibreglass Struts with 90 Degree Lugs
- 1 - BA Aluminium Support Boom Tube
- 1 - YB-25 Clamp Kit
- 1 - Y2300 Clamp Kit
- 2 - UV1-SS Clamp Kits

Assembly Sketch

YS2-48 STRUT KIT

G-Tech Communication Services Pty. Ltd. Trading as :
ZCG SCALAR[®]
 DESIGNERS AND MANUFACTURERS OF RADIO FREQUENCY ANTENNAS
 Hall Street, Ullendow, Victoria, Australia.
 Tel: (03) 5157 1203 Fax: (03) 5157 1641

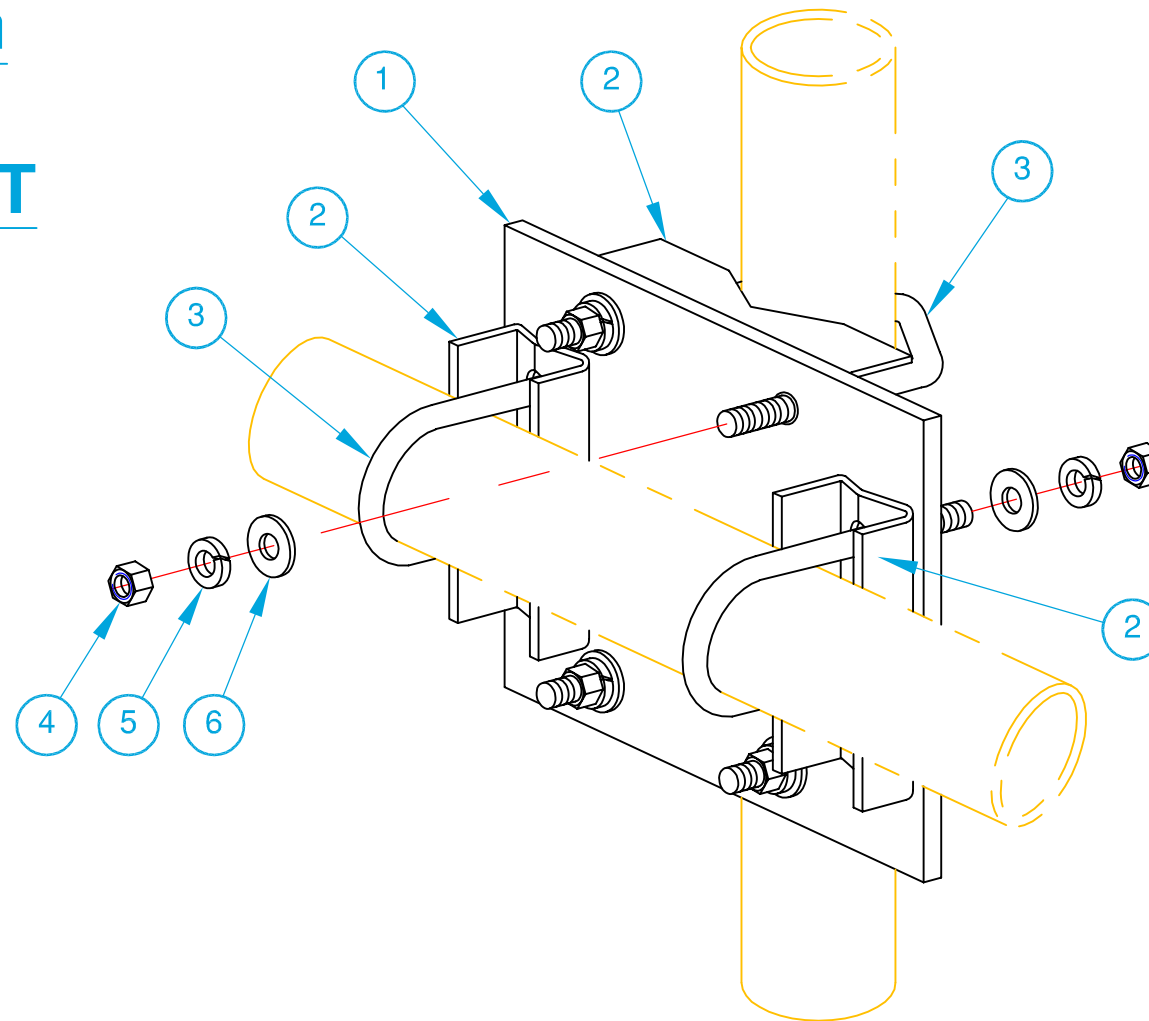


COPYRIGHT - **G-Tech** COMMUNICATION SERVICES PTY.LTD.
 NO PART OF THIS DRAWING IS TO BE REPRODUCED WITHOUT
 WRITTEN PERMISSION.

Assembly Sketch

Y2300 CLAMP KIT

Galvanised



PARTS SUPPLIED:

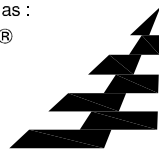
6	Washer, Flat, M8, Stainless Steel	8
5	Washer, Spring, M8, Stainless Steel	8
4	Nut, Hex, M8, Galvanised	8
3	U-Bolt, M8 x 52 Gap x 88, Stainless Steel Gr. 304	4
2	Vee Block, Mild Steel Galvanized	4
1	Clamp Plate, Mild Steel Galvanized	1
Item	Description	Quantity

G-Tech Communication Services Pty. Ltd. Trading as :

ZCG SCALAR[®]

DESIGNERS AND MANUFACTURERS OF RADIO FREQUENCY ANTENNAS

Hall Street, Lindenow, Victoria, Australia.
Tel: (03) 5157 1203 Fax: (03) 5157 1641



Copyright - **G-Tech** Communication Services Pty. Ltd. No part of this Drawing is to be reproduced without Written Authority

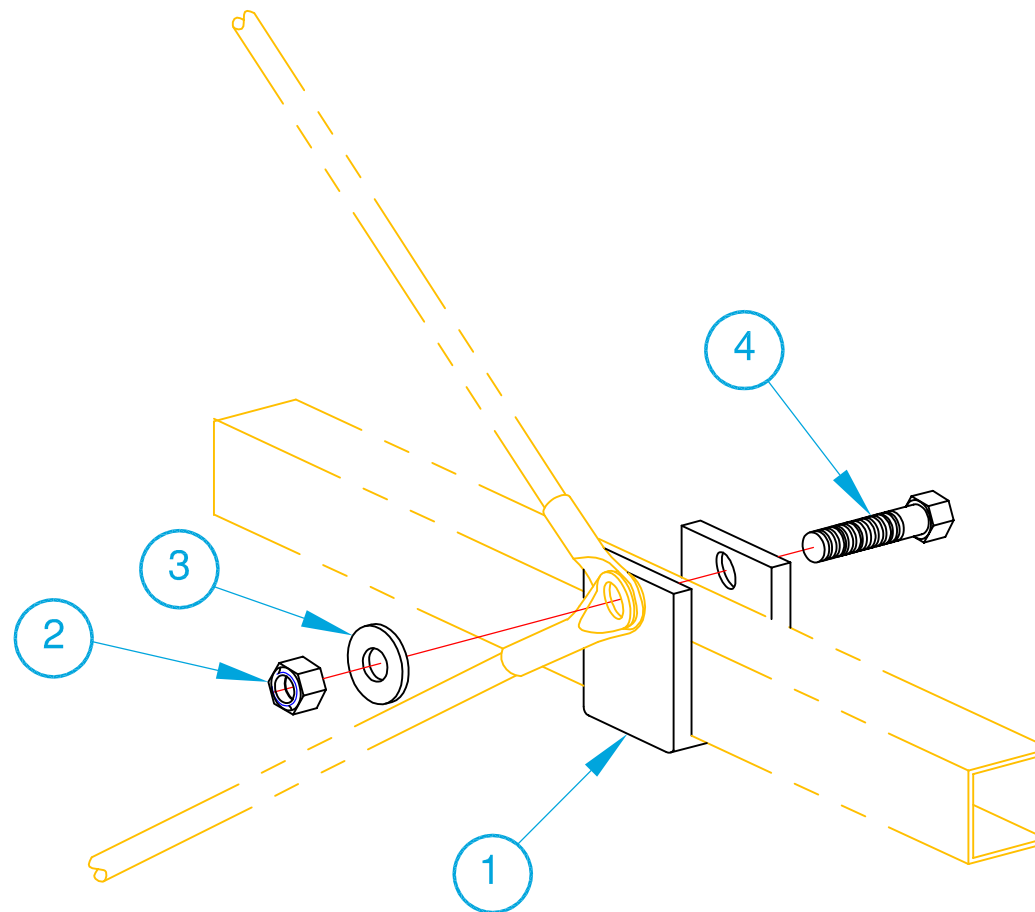
1221-2-B.dwg LM 02-08-10

Approved: RG 03-08-10

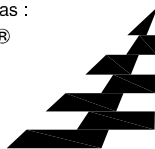
Rev. 1. LM 09-06-15

Assembly Sketch

YB-25 CLAMP KIT Stainless Steel



G-Tech Communication Services Pty. Ltd. Trading as :
ZCG SCALAR®
DESIGNERS AND MANUFACTURERS OF RADIO FREQUENCY ANTENNAS
Hall Street, Lindenow, Victoria, Australia.
Tel: (03) 5157 1203 Fax: (03) 5157 1641



Copyright - **G-Tech** Communication Services Pty. Ltd. No part of
this Drawing is to be reproduced without Written Authority

1523-B.dwg LM 04-08-10
Approved: RG 06-08-10
Rev. 1. LM 04-04-12

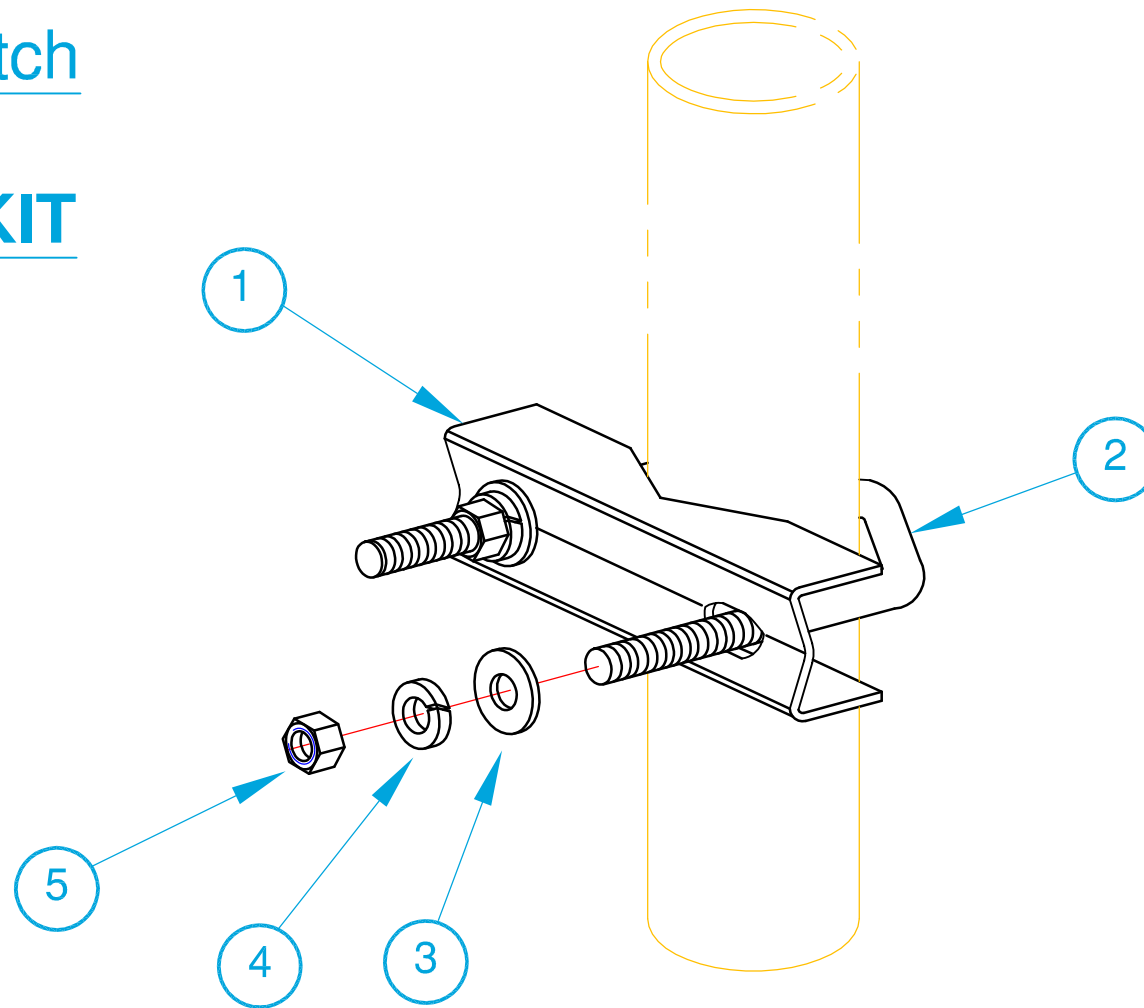
PARTS SUPPLIED:

4	Bolt, Hex Head, M8 x 50, Stainless Steel Gr. 304	1
3	Washer, Flat, M8, Stainless Steel	1
2	Nut, 'Nyloc', M8, Stainless Steel Gr. 316	1
1	U-Clamp, Stainless Steel	1
Item	Description	Quantity.

Assembly Sketch

UV1 CLAMP KIT

Galvanised



PARTS SUPPLIED:

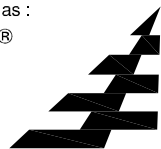
5	Nut, Hex, Galvanised	2
4	Washer, Spring, Stainless Steel Gr. 304	2
3	Washer, Flat, Stainless Steel Gr. 304	2
2	U-Bolt, M8 x 52 Gap x 88mm, Stainless Steel Gr. 304	1
1	Vee Block, Galvanised	1
Item	Description	Quantity

G-Tech Communication Services Pty. Ltd. Trading as :

ZCG SCALAR[®]

DESIGNERS AND MANUFACTURERS OF RADIO FREQUENCY ANTENNAS

Hall Street, Lindenow, Victoria, Australia.
Tel: (03) 5157 1203 Fax: (03) 5157 1641



Copyright - **G-Tech** Communication Services Pty. Ltd. No part of this Drawing is to be reproduced without Written Authority

1532-B.dwg LM 30-07-10

Approved: RG 03-08-10

Rev. 1. 15-06-15